

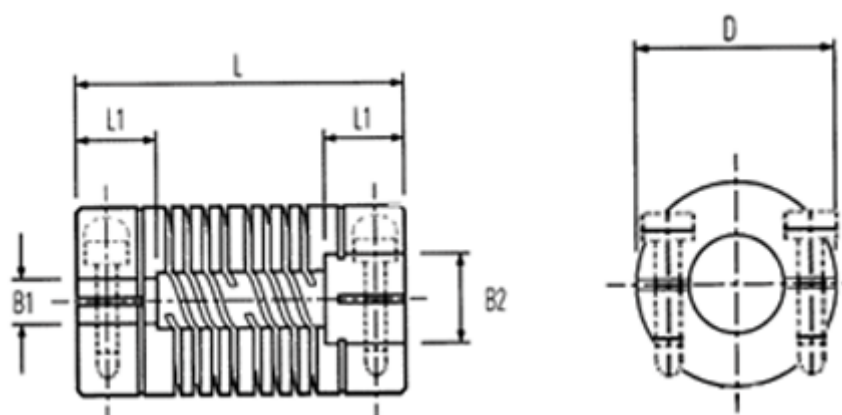
# Data Sheet



Article number: 339707570000

Description: Multibeam 6 Coupling 707.57.0000  
Aluminium relieved & clamp hubs

## Measures



B2: Pre-drilled	= 10.0	Max parallel displacement = 7
B2: Pre-drilled	= 20.00	Peak Torque NM = 55.00
Cap screw	= M6	
D	= 57.2	
L	= 130.0	
L1	= 32.0	
Max angular displacement	= 0.95	
Max B1 & B2	= 30.00	